

SPECIFICATIONS:

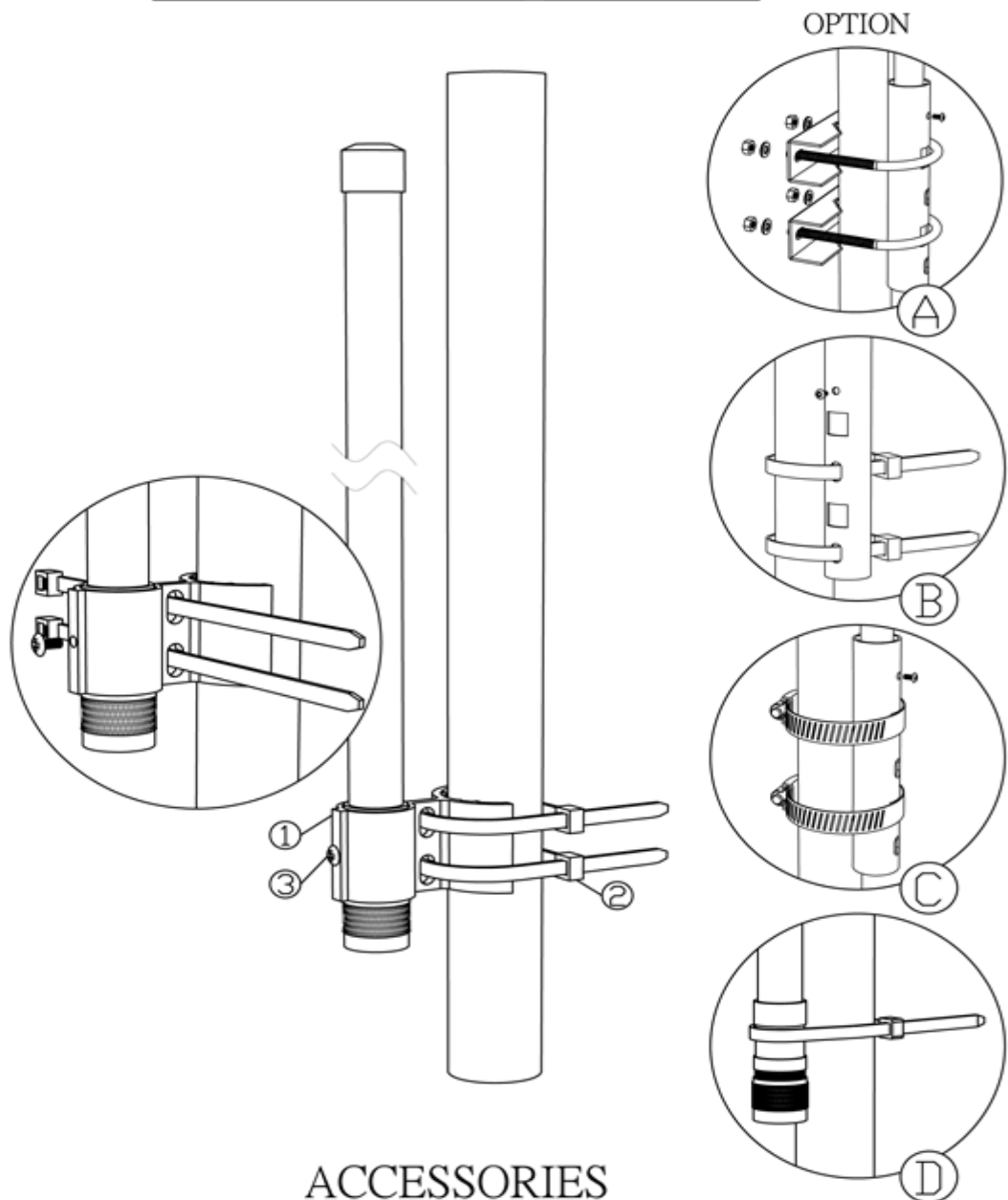
Applications:

Frequency Range	5~5.9GHz
V.S.W.R	≤1.5:1
Return Loss	≥-14db
Antenna Type	Collinear
Gain	8dBi
Polarization	Vertical
Maximum Power	50W
Vertical Beam-width	16°
Horizontal Beam-width	360°
Impedance	50Ω
Connector	N-Female

Mechanical Specifications:

Length	415mm
Diameter	20mm
Weight	120g
Wind Survival	>120 MPH
Radome Material	White Fiberglass
Operating Temperature	-40°C to +80°C
Clamps	Cable Tie
Mounting	Multiple options
RoHS Compliant	YES

Antenna Mounting Direction



①  * 1 PC

②  * 2 PC

③  * 1 PC